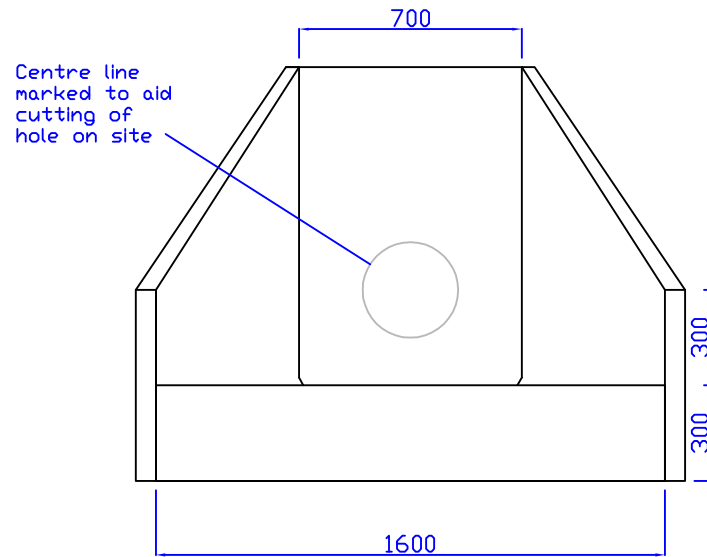
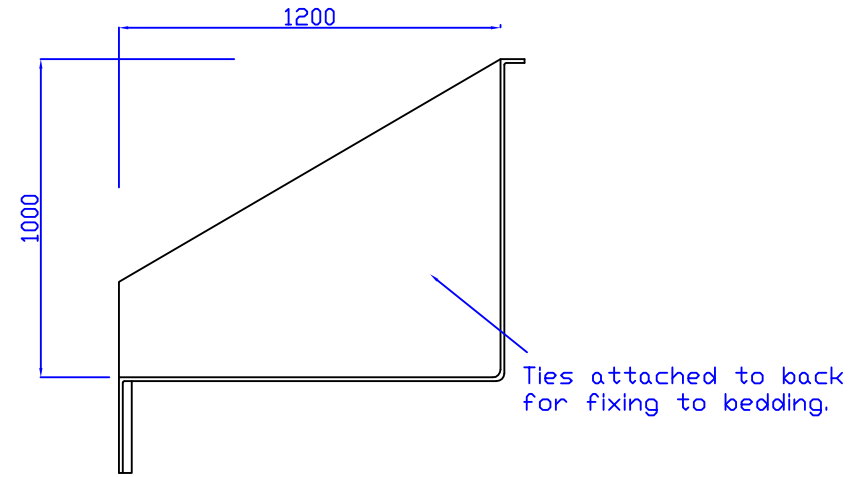


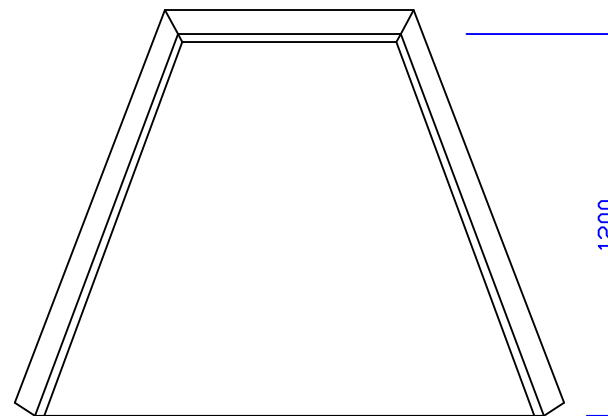
Side View



Elevation



Section



Plan

GRC Headwall to be bedded and backed on min 200mm C35 Concrete or as specified by engineer

Material Grade 18 GRC
Weight Approx 200Kg

BCM GRC Ltd,
Unit 22,
Civic Industrial Park,
Whitchurch,
Shropshire, SY13 1TT
T. 01948 665321
F. 01948 666381
E. info@bcmgrc.com
W. www.bcmgrc.com

Notes:

1. All dimensions in mm.
2. Material Hand Sprayed GRC Grade 18

BCM 600 Headwall

Dwg BCM-HW600

Not to
Scale

PGS