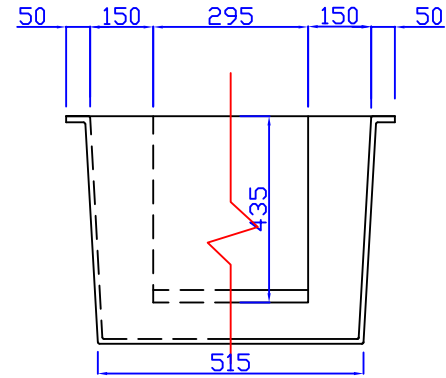
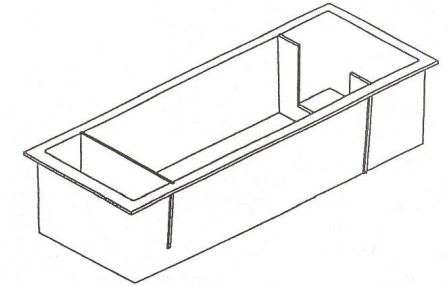


Side View/Section

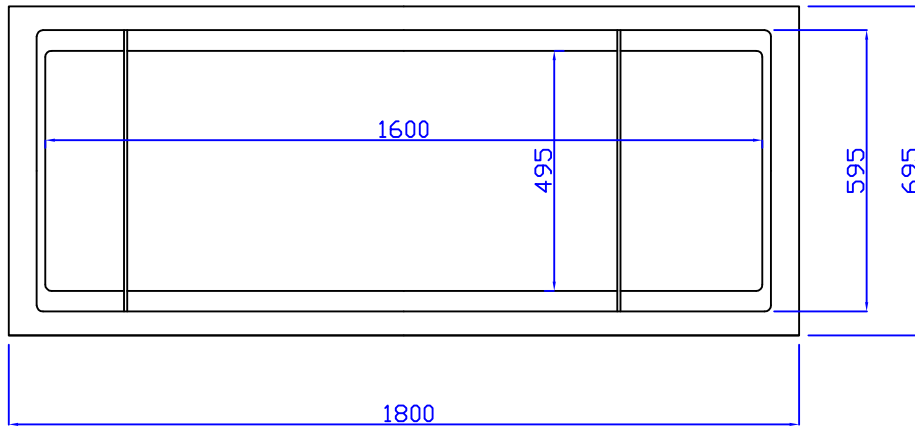


End View/Section

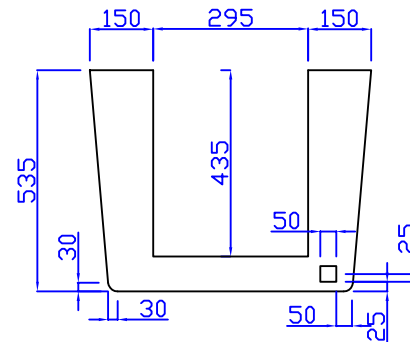
BCM GRC Ltd,  
 Unit 22,  
 Civic Industrial Park,  
 Whitchurch,  
 Shropshire, SY13 1TT  
 T. 01948 665321  
 F. 01948 666381  
 E. bcmgrc@aol.com  
 W. www.bcmgrc.com



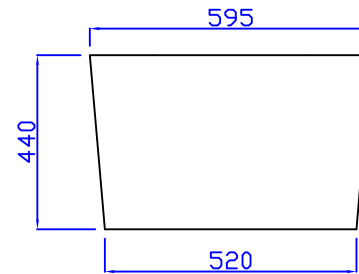
Isometric View



Side View/Section



Outlet Weir



Baffle

- Notes:
1. All dimensions in mm.
  2. Material Hand Sprayed GRC Grade 18
  3. Supplied with "V" notch wier plate

Small GRC  
 Sampling Chamber

Dwg RWC-08-07 Rev -

Not to  
 Scale

02.02.05  
 PGS