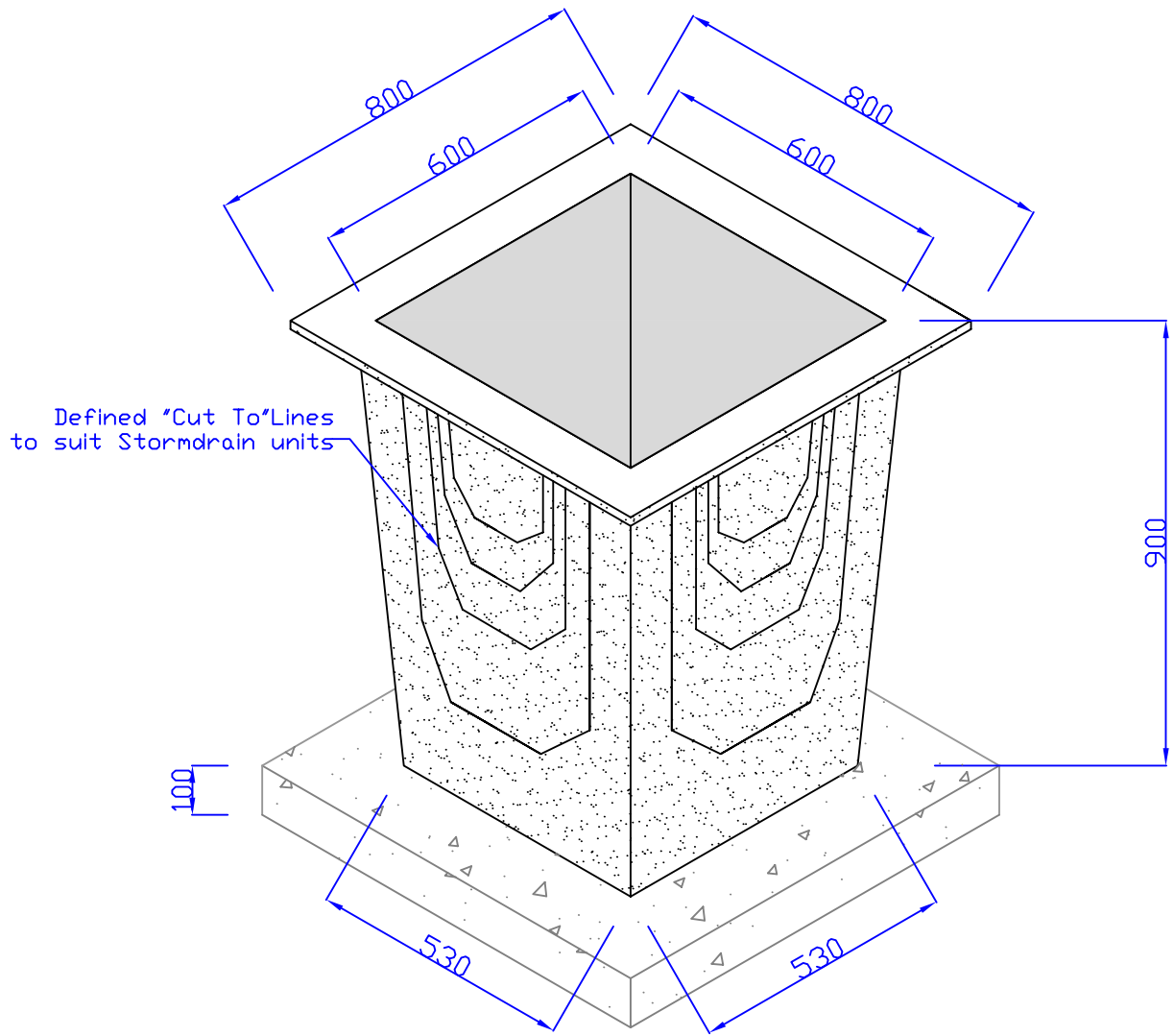


STORMDRAIN

TM

Construction Details - GRC
Inspection Chamber



BCM GRC Ltd.

Drawing not to scale

Unit 22 Civic Industrial Park, Whitchurch, Shropshire SY13 1TT

t:01948 665321 f:01948 666381 e:bcmgrc@aol.com w:bcmgrc.com