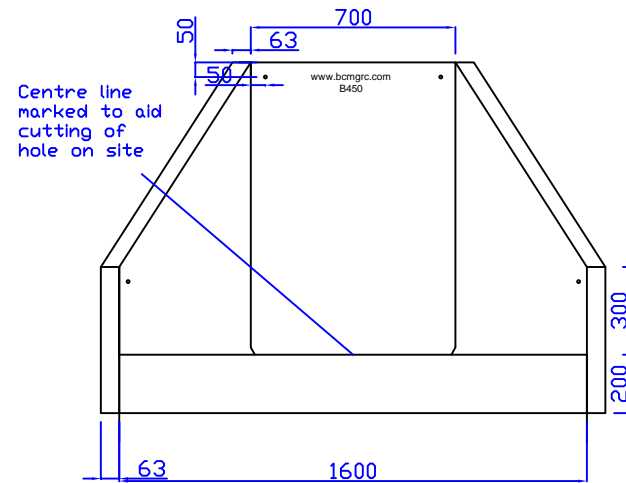
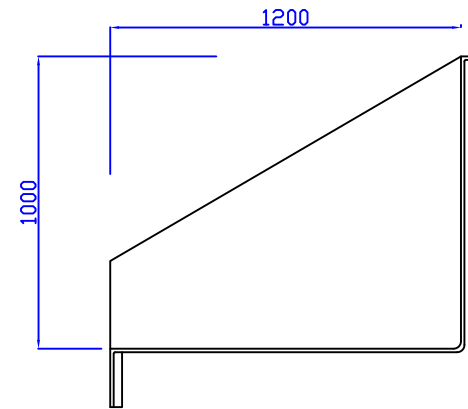


Side View



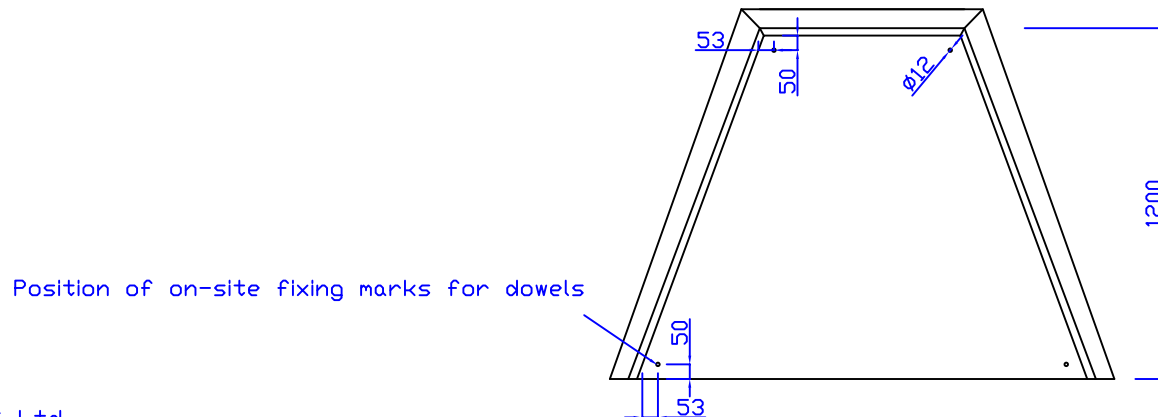
Elevation



Section

GRC Headwall to be bedded and backed on min 200mm C35 Concrete or as specified by engineer

Material Grade 18 GRC  
Weight Approx 180Kg



Plan

Notes:

1. All dimensions in mm.
2. Material Hand Sprayed GRC Grade 18

BCM GRC Ltd,  
Unit 22,  
Civic Industrial Park,  
Whitchurch,  
Shropshire, SY13 1TT  
T. 01948 665321  
F. 01948 666381  
E. info@bcmgrc.com  
W. www.bcmgrc.com

BCM 450 Headwall	
Dwg BCM-HW450	
Not to Scale	DHB