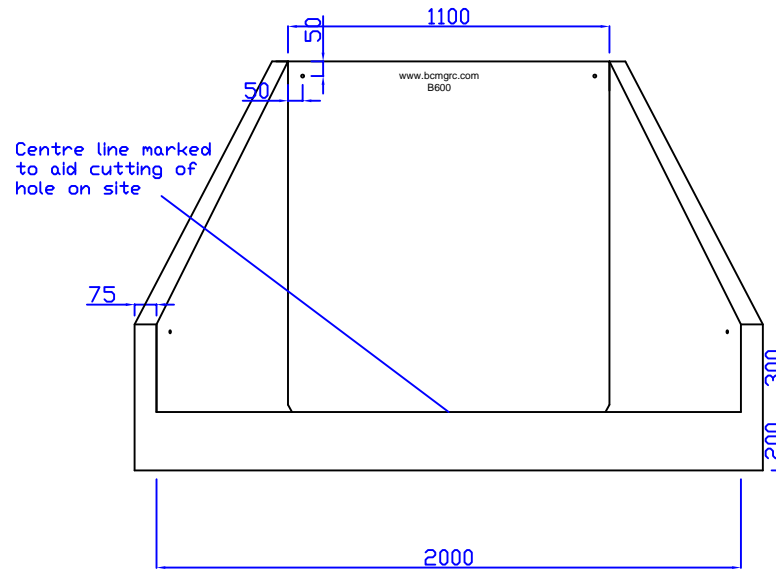
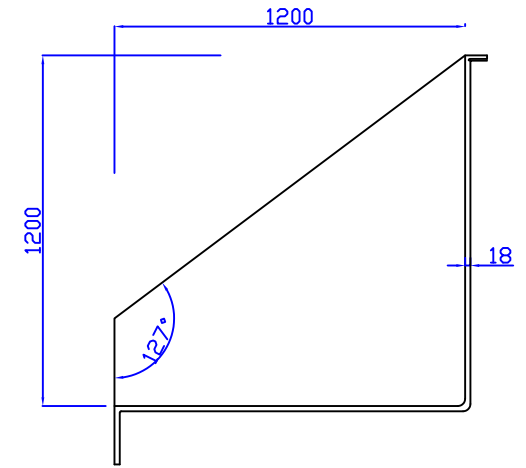


Side View



Elevation

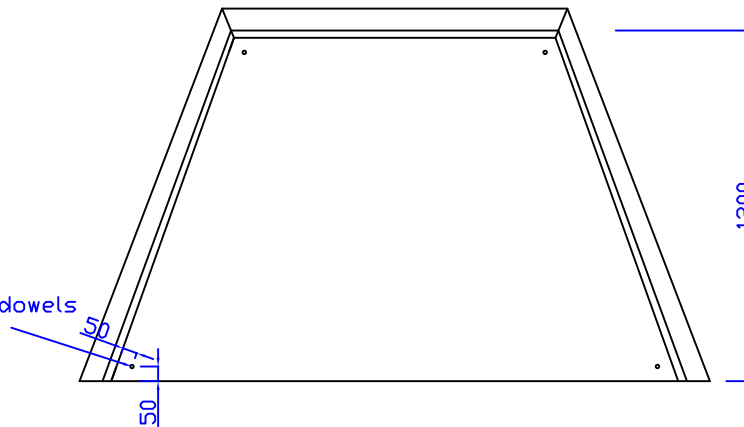


Section

GRC Headwall to be bedded and backed on min 200mm C35 Concrete or as specified by engineer

Material Grade 18 GRC  
Weight Approx 250Kg

Position of on-site fixing marks for dowels



Plan

Notes:

1. All dimensions in mm.
2. Material Hand Sprayed GRC Grade 18

BCM GRC Ltd,  
Unit 22,  
Civic Industrial Park,  
Whitchurch,  
Shropshire, SY13 1TT  
T. 01948 665321  
F. 01948 666381  
E. info@bcmgrc.com  
W. www.bcmgrc.com

BCM 600 Headwall	
Dwg BCM-HW600	
Not to Scale	DHB