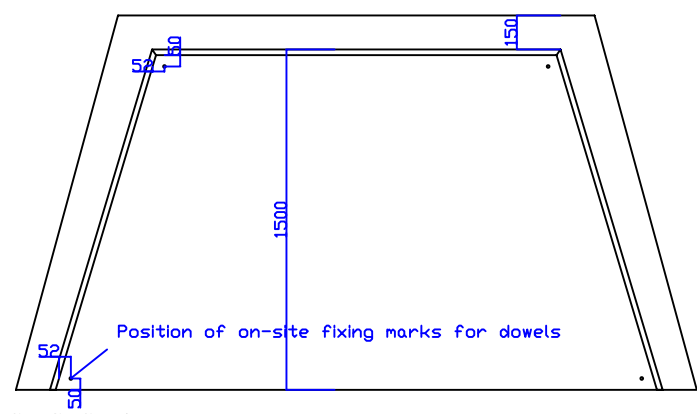


GRC Headwalls to be laid on a foundation of C35 concrete minimum 200mm thick and backfilled with a minimum of 200mm C35 concrete.

Weight approx 450kg



BCM GRC Ltd
Unit 22
Civic Industrial Park
Whitchurch
SY13 1TT

Tel: 01948 665321
Fax: 01948 666381

BCM 900 Headwall	
Dwg BCM-HW900	
Not to Scale	DHB